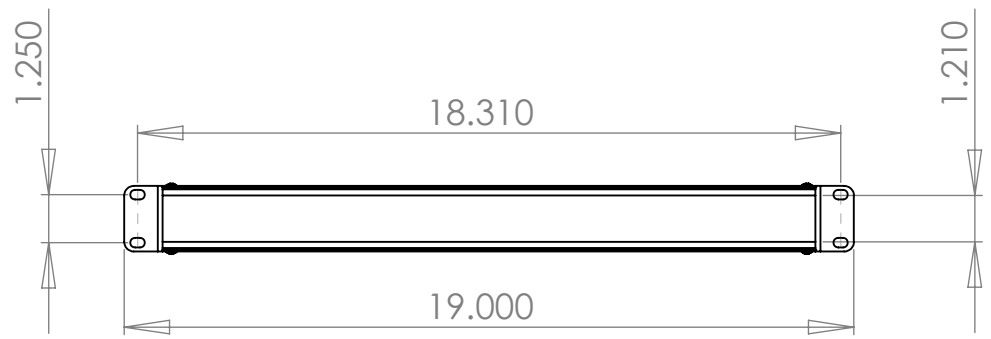
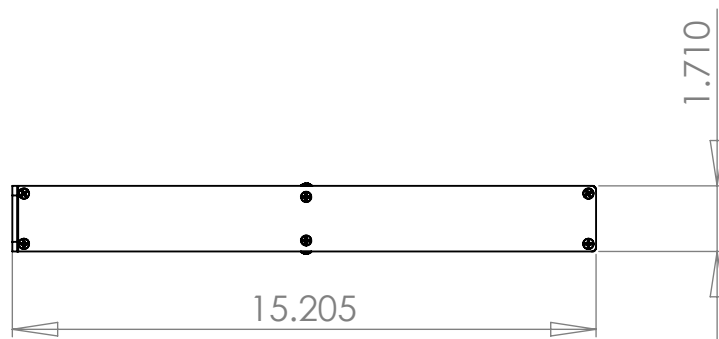
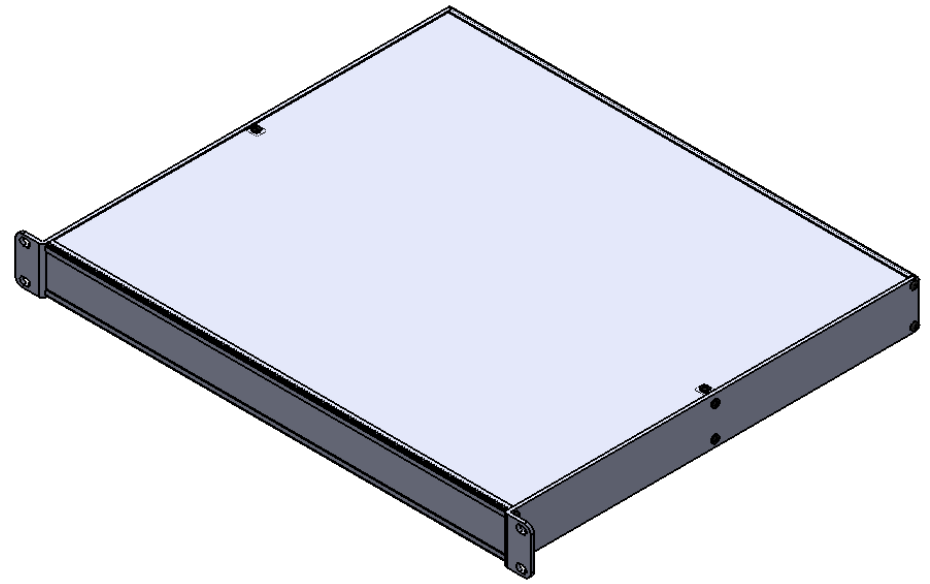
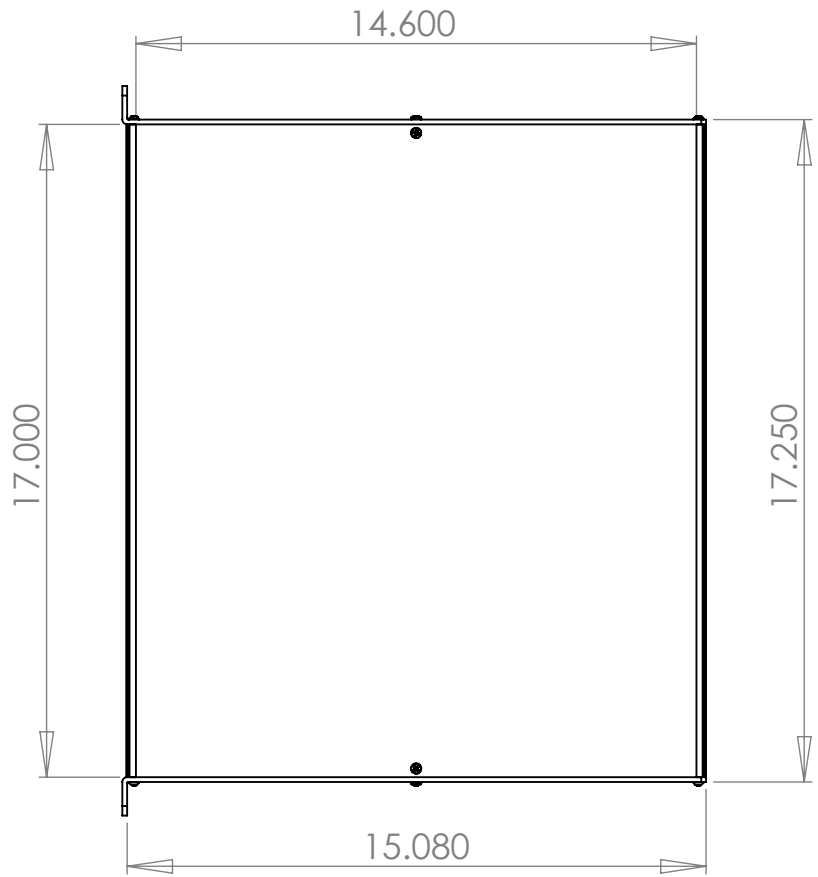


RACK MOUNTING

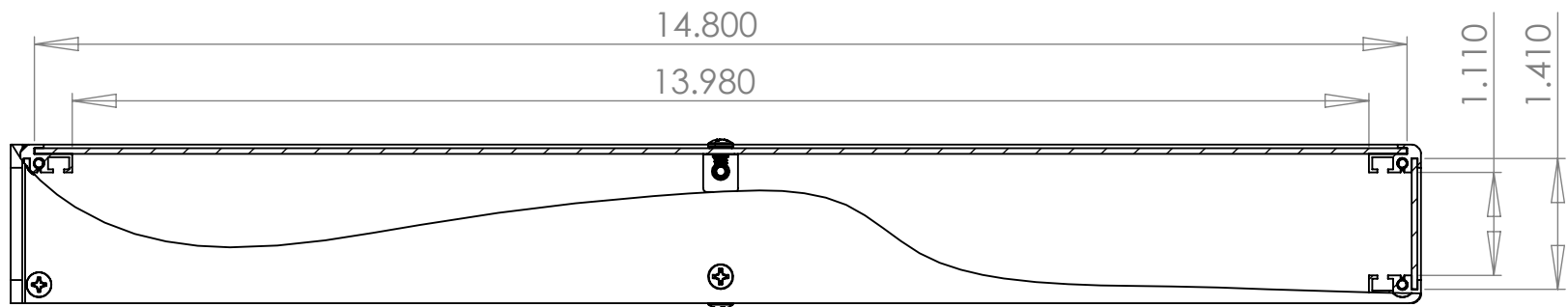


WOLGRAM
 Engineered Plastics, LLC.
www.wolgrammfg.com
 866-WOLGRAM

PART NUMBER **1RU15**
 19 x 15 x 1.75 Aluminum Enclosure.
 Black Anodized

Unless otherwise specified, dimensions are in inches. Information in this drawing is provided for reference only.

RACK MOUNTING



WOLGRAM
Engineered Plastics, LLC.
www.wolgrammfg.com
866-WOLGRAM

PART NUMBER **1RU15**
19 x 15 x 1.75 Aluminum Enclosure.
Black Anodized

Unless otherwise specified, dimensions are in inches. Information in this drawing is provided for reference only.

5

4

3

2

1